

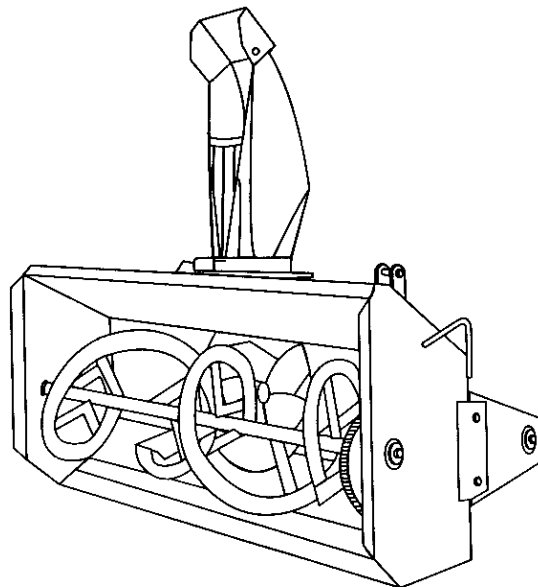
LOFTNESS

SNOWBLOWER ATTACHMENT

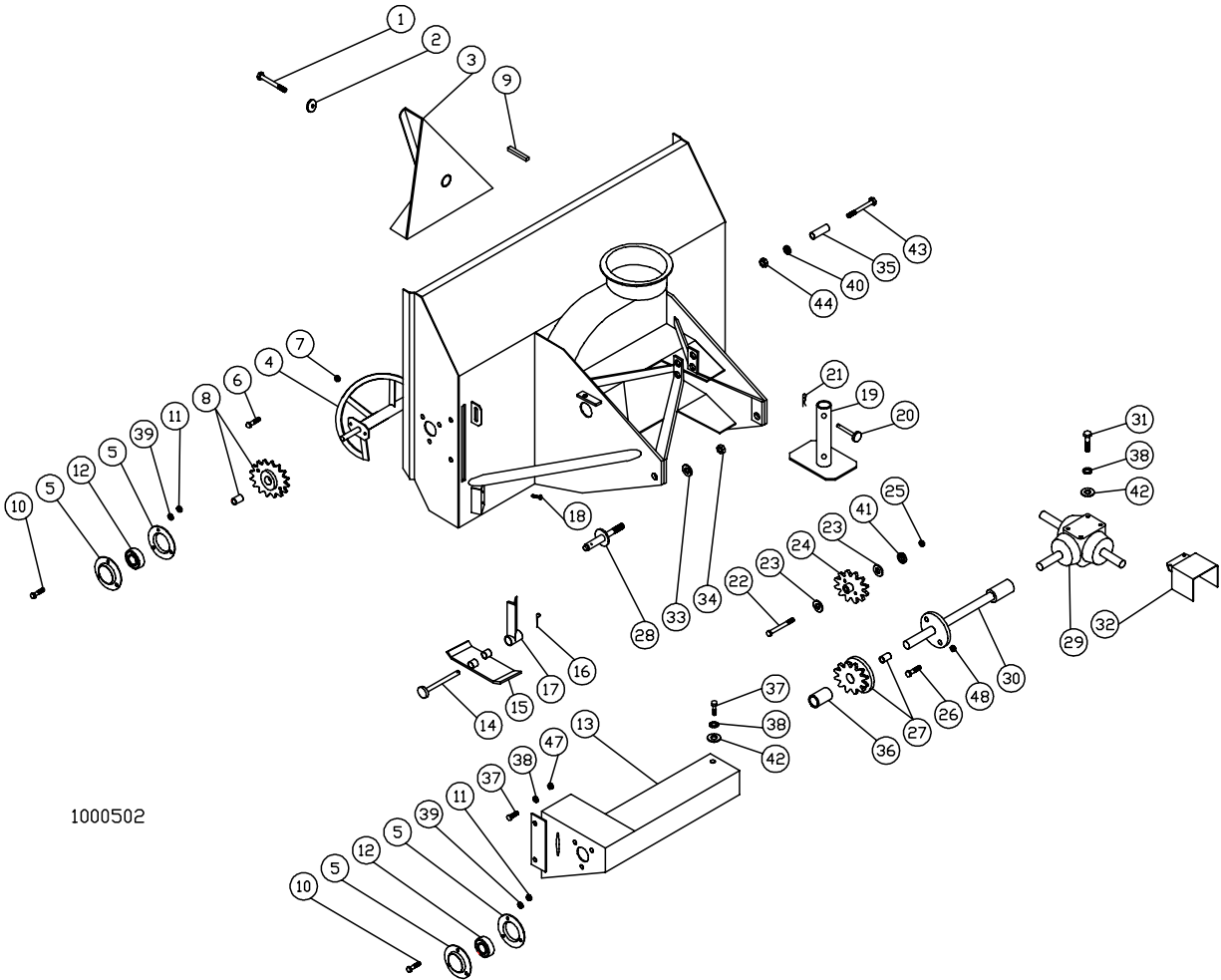
MODELS 661S / 721S / 841S

	661S	721S	841S
Width	66"	72"	84"
Approx. Weight	829 lbs.	869 lbs.	912 lbs.
HP Range	25-120	35-120	40-120
Fan Size	24"	27"	27"

Cutting Height..... 32"
Input RPM..... 540
Cutting Edge..... 3/8" X 3"
Hitch Category..... CAT. 1 OR 2
Spout Diameter..... 11"
Auger Chain..... #60
Number and 1-16"
Size of Augers



661S / 721S / 841S SNOWBLOWER PARTS LIST



1000502

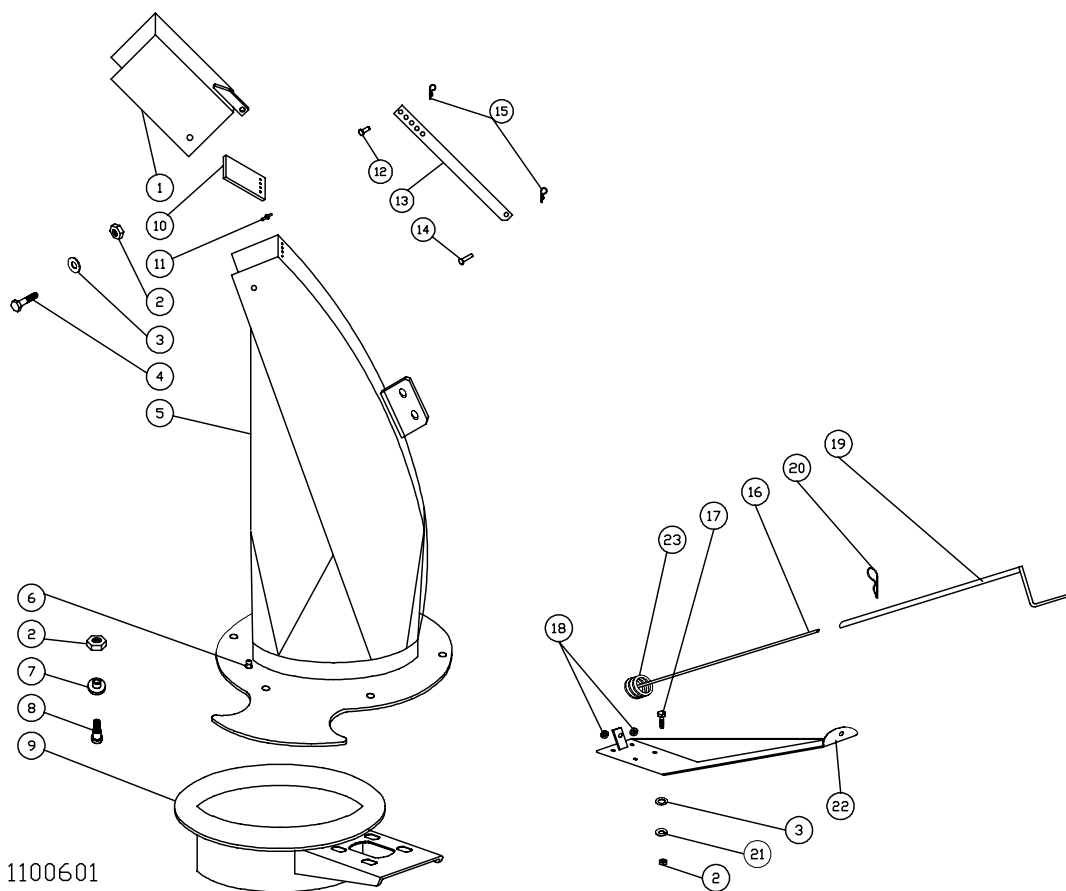
NO.	P/N	DESCRIPTION	NO.	P/N	DESCRIPTION
1	4019	BOLT, 5/8" x 1-1/4" GRADE 5	24	8229	SPROCKET, IDLER CA60 CHAIN 5/8" BORE
2	4070	WASHER, 5/8" LOCK	25	4058	NUT, 5/8" STANDARD
3*	9534	FAN, 24" DIAMETER (66")	26	4035	BOLT, 3/8" X 1" GRADE 2
	9535	FAN, 27" DIAMETER (72" & 84")	27	8232	SPROCKET, DRIVE 1-3/8" B 60B14 W/ SH. FLNG.
4*	9599	AUGER, 66" SINGLE FLIGHT 3/8" X 2"	28	8232-01	BUSHING, 1-3/8" DRIVE SPROCKET
	9601	AUGER, 72" SINGLE FLIGHT 3/8" X 2"	29	4102	PIN, HITCH CAT. II
	9511	AUGER, 84" SINGLE FLIGHT 3/8" X 2"	29	8203	GEARBOX, SUPERIOR 400 SERIES
5	8290	FLANGETTE, (ONLY) 1-3/8" BEARING	30*	9606	SHAFT, CROSS 1-3/8 X 25-1/2" W/SPL CPLR (66")
6	4009	BOLT, 7/16" X 1-1/4" GRADE 5		9607	SHAFT, CROSS 1-3/8 X 28-1/2" W/SPL CPLR (72")
7	4053	NUT, 7/16" LOCK		9608	SHAFT, CROSS 1-3/8 X 34-1/2" W/SPL CPLR (84")
8	9405	SPROCKET, AUGER DR. 1-3/8" BORE 60B42	31	4012	BOLT, 1/2" X 1-1/4" GRADE 5
	8225-01	BUSHING, 1-3/8" AUGER SPROCKET	32	9672	SHIELD, 200/400 SERIES PTO
9	7121-06	KEY, 3/8" X 3"	33	4236	WASHER, 7/8" LOCK
10	4034	BOLT, CARRIAGE 3/8" X 1" GRADE 5	34	4060	NUT, 7/8" STANDARD FINE THREAD
11	4233	NUT, 3/8" STANDARD	35	9614	BUSHING, HITCH 3/4" ID X 2-1/2"
12	8260	BEARING, (ONLY) 1-3/8" DIAMETER	36	9816	SPACER, 1-3/8" CROSS SHAFT 1-1/4" LONG
13*	9571	SHIELD, CROSS SHAFT (66")	37	4011	BOLT, 1/2" X 1" GRADE 5
	9547	SHIELD, CROSS SHAFT (72")	38	4155	WASHER, 1/2" LOCK
	9559	SHIELD, CROSS SHAFT (84")	39	4065	WASHER, 3/8" LOCK
14	4270	PIN, SKID SHOE 3/4" X 5-3/16"	40	4287	WASHER, 3/4" LOCK
15	9575	PAD, MED. SKID SHOE	41	4070	WASHER, 5/8" LOCK
16	4099	PIN, COTTER 1/8" X 1-1/2"	42	4068	WASHER, 1/2" FLAT
17	9576	ARM, MED. SKID SHOE	43	4359	BOLT, 3/4" X 4-1/2" GRADE 5
18	4285	SCREW, SQ. HEAD SET 5/8" X 1-1/2"	44	4288	NUT, 3/4" STANDARD
19	9572	STAND, JACK COMPLETE	45^	9574	SHOE, MED. SKID COMPLETE
20	4096	PIN, 3/8" X 1-3/4" PLATED	46^	8258-30	CHAIN, DRIVE # 60 REGULAR X 69"
21	4089	CLIP, HAIR PIN .093 X 1-5/8"	47	4250	NUT, 1/2" STANDARD
22	4277	BOLT, 5/8" X 5" GRADE 5	48	4052	NUT, 3/8" LOCK
23	4069	WASHER, 5/8" FLAT			

^ INDICATES ITEMS NOT SHOWN

11/14/97

NOTE: Parts book is made for three size snowblower, (*) asterisk marks indicates different size parts.

11" SPOUT MANUAL ROTATOR AND MANUAL DEFLECTOR



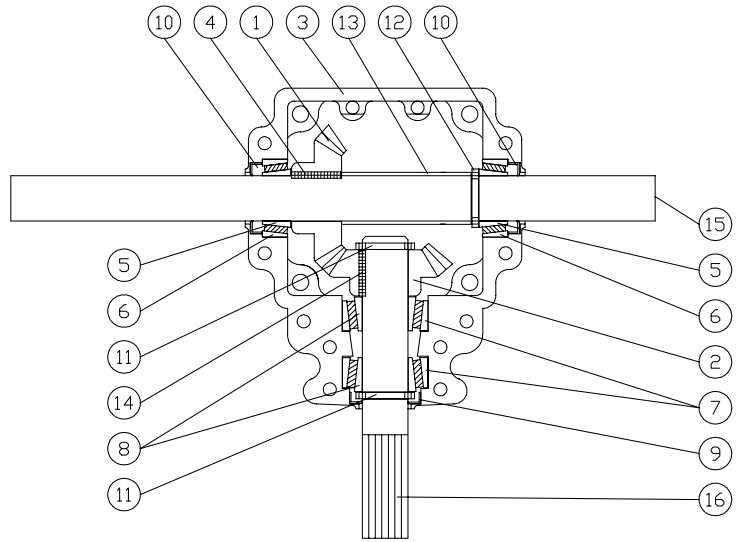
1100601

NO.	P/N	DESCRIPTION
1	9550	DEFLECTOR, 11" SPOUT
2	4052	NUT, 3/8" LOCK
3	4064	WASHER, 3/8" FLAT
4	4195	BOLT, 3/8" X 1" GRADE 5
5	8243	BODY, SPOUT 11"
6	4104	GREASE ZERK, DRIVE-IN
7	4066	WASHER, 1/2" ID STEP
8	4037	BOLT, SHOULDER 1/2" X 1/2" X 3/8"
9	****	BLOWER BODY (SHOWN FOR MOUNTING ONLY)
10	4246	BELTING, RUBBER 2 PLY 9-1/2"L
11	4156	RIVET, POP 3/16" X 1/2"
12	4088	PIN, DEFLECTOR 1/2" X 3" TOP
13	9554	LINK, DEFLECTOR ADJUSTMENT
14	4242	PIN, DEFLECTOR 1/2" X 4" BOTTOM
15	4089	CLIP, HAIR PIN .093 X 1-5/8"
16	9560	CRANK, SPOUT ROTATOR HAND
17	4034	BOLT, CARRIAGE 3/8" X 1" GRADE 5
18	8288	COLLAR, 1/2" SET 45 DEG. CHAMFER
19	9582	CRANK, ADJUSTABLE HAND EXTENSION
20	4239	CLIP, HAIR PIN .148 X 3"
21	4065	WASHER, 3/8" LOCK
22	9561	MOUNT, HAND CRANK
23	9560-10	COIL, SPOUT ROTATOR HAND CRANK
24	9585	ROTATOR, HAND CRANK COMPLETE (Includes 16, 18, 19, 20, 22 AND 23)

SUPERIOR 400 SERIES GEAR BOX

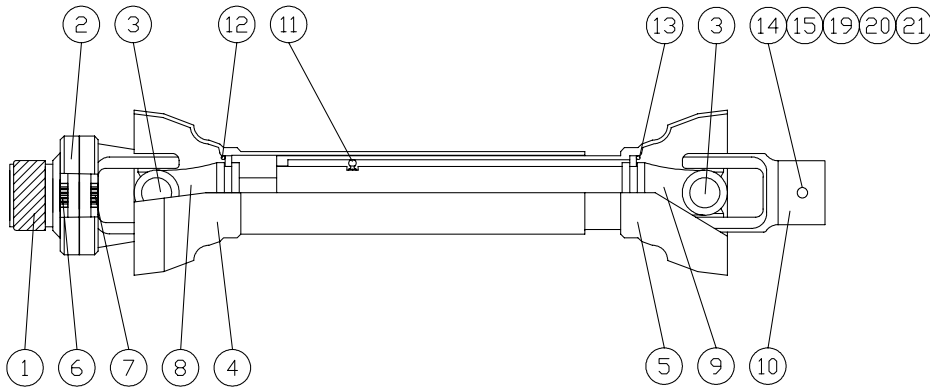
NO.	P/N	DESCRIPTION
1	8203-01	GEAR, THROUGH SHAFT
2	8203-02	GEAR, SPLINED PINION SHAFT
3	8203-03	HOUSING (lower)
4	8203-04	KEY, THROUGH SHAFT
5	8203-05	RACE, BEARING THROUGH SHAFT
6	8203-06	CONE, BEARING THROUGH SHAFT
7	8203-07	CONE, BEARING SPLINED PINION SHAFT
8	8203-08	RACE, BEARING SPLINED PINION SHAFT
9	8203-09	SEAL, SPLINED PINION SHAFT
10	8203-10	SEAL, THROUGH SHAFT
11	8203-11	RING, RETAINING SPLINED PINION SHAFT
12	8203-12	RING, RETAINING THROUGH SHAFT
13	8203-13	SPACER
14	8203-14	KEY, SPLINED PINION SHAFT
15	8203-15	SHAFT, THROUGH
16	8203-16	SHAFT, SPLINED PINION
17	8203	GEARBOX, COMPLETE 400 SERIES
18*	8203-17	HOUSING (upper)
19*	8203-18	VENT, UPPER HOUSING
20*	8203-19	BUSHING, UPPER HOUSING
21*	8203-20	PLUG, LOWER HOUSING
22*	8203-21	SCREW, HOUSING CAP

* INDICATES PARTS NOT SHOWN



1100402

WEASLER 35R PTO



1100302

NO.	P/N	DESCRIPTION	NO.	P/N	DESCRIPTION
1	8209-01	KIT, SLIDE LOCK REPAIR	12	8209-15	KIT, SNAP RING & NYLON BEARING OUTER GUARD
2	8209-02	YOKE, 35R SHEAR	13	8209-12	KIT, SNAP RING & NYLON BEARING INNER GUARD
3	8209-03	KIT, REPAIR 35 SERIES CROSS	14	4255	BOLT 3/8" X 3-1/2" Gr.5
4	8209-04	GUARD, OUTER	15	4052	NUT, 3/8" LOCK
5	8209-05	GUARD, INNER	16	8209	PTO, COMPLETE WEASLER 35R SERIES
6	4203	BOLT, SHEAR 5/16" X 1" Gr.5	17	8209-13	HALF, 540 35R PTO COMPLETE TRACTOR
7	4051	NUT, 5/16" LOCK	18	8209-14	HALF, 540 35R PTO COMPLETE IMPLEMENT
8	8209-06	SHAFT, YOKE AND 35R	19	4061	NUT, 3/8" JAM
9	8209-07	TUBE, YOKE AND 35R	20	4082	SCREW, SQ. HD. SET 3/8" X 1"
10	8209-08	YOKE, 35R 1-1/2"	21	7121-03	KEY, 3/8" X 2"
11	4105	GREASE-ZERK			