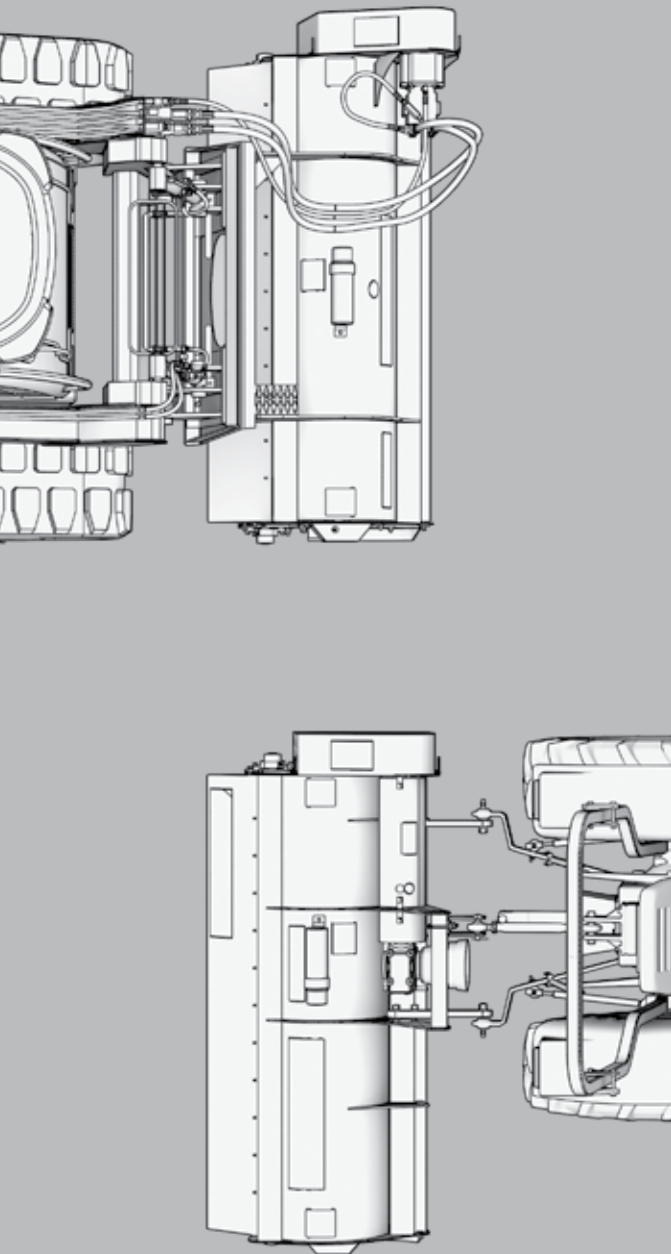




**LOFTNESS®**

AN EMPLOYEE-OWNED COMPANY

# *Flail Mower*



**THE MOST  
PRODUCTIVE  
MOWER YOU'LL FIND**



# Skid steer-mounted hydraulic simplicity.

Flail power that takes down grass, weeds and brush up to 3/4 inches diameter.

This hydraulic driven mower is built Loftness® tough to deliver the heavy duty power and performance needed to clear a path through dense grass, tall weeds and small brush, leaving your vegetation challenge behind as if it was never there.

- **Ready for your equipment**

Available in two cutting widths.

- **Front-mounted visibility**

Easily see your work and terrain.

- **Smooth, powerful operation**

Exceptional balance and cutting power.

- **Quick attachment**

Get up and running in a few minutes.

- **Exceptional quality**

Built by the flail experts.



# Tractor-mounted PTO flail mower perfection.

## Performance and quality. Loftness® is your PTO flail partner all day.

Loftness offers the versatility of a tractor-mounted flail mower. It mows down major overgrowth vegetation leaving behind an even mat of mulch for faster decomposition. The PTO version also uses heat treated, reversible, side-slice knives giving the PTO flail best in class performance all day long.

- **No job is too tough**  
Available in two cutting widths.
- **Versatile mounting**  
Cat. I or II, Free-link or Quick Hitch.
- **Smooth operation**  
High speed balanced and factory tested.
- **The power of PTO**  
Exceptional transfer of power and torque.
- **Frontline quality**  
Loftness is your PTO flail partner.



PTO tractor or hydraulic skid steer.

# Two drive systems, one mission: Cut, Chop, Mulch.

## Banded Belts

A three-groove banded belt is used to efficiently transfer power from the line shaft to the rotor. Banded belts resist fly-off and twisting, will take more shock, and will generally last longer than conventional belts. Taper-lock sheaves for ease of maintenance

## Spring-Loaded Push-Type Idler

Another engineering feature from Loftness® to further ensure super-smooth and trouble-free operation, this mechanism increases the belt wrap around each pulley in the belt system.

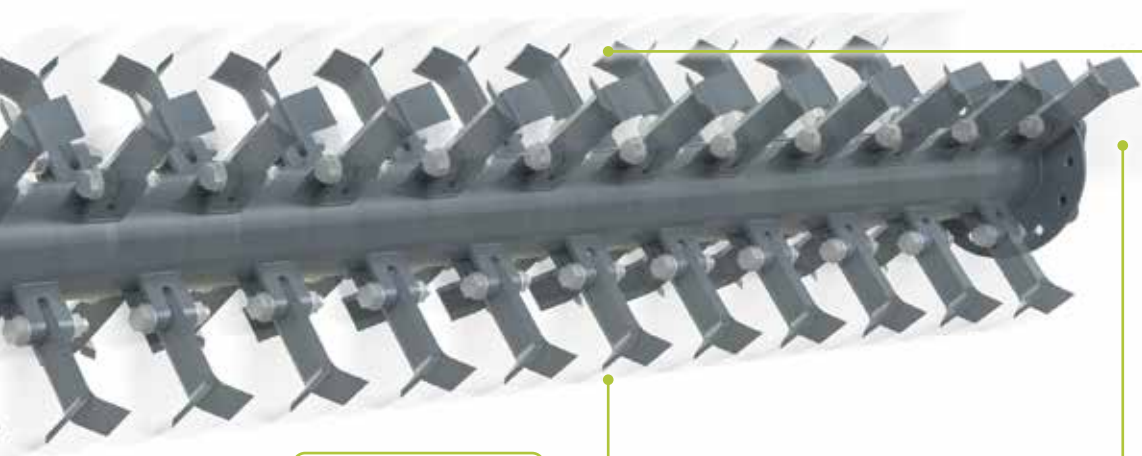
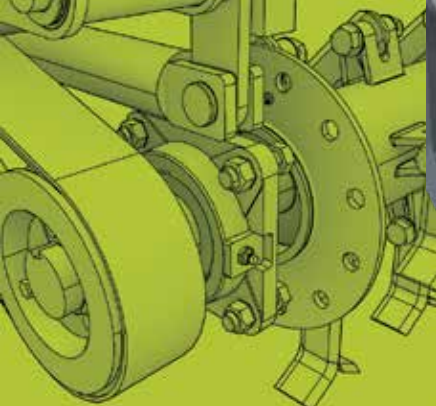
## PTO and Gearbox

The tractor-mounted mower is driven with the 540 RPM PTO and utilizes a 70 horsepower gearbox, a heavy duty coupler and line shaft support bearing.

## Tractor Models

## Knives

Loftness flail mowers are equipped with heat-treated side-slice knife sets. They are reversible for maximum service life.



### Skid Steer Models



### Standard power

As standard equipment, the Loftness® skid steer-mounted Flail mower is configured with a high efficiency gear-type motor for pressures up to 3400 PSI.

### Rotor Speed

Loftness flail mowers excel in rotor speed, running comfortably at 2,100 rpm. The result is a thorough, complete cut that lays down a desired even distribution of mulch.

### Computer Balanced

Using the latest computer balancing technology, every rotor is balanced at high speeds before assembly. Then Loftness goes the extra step to ensure peak performance by running a full operational speed test after assembly.

### Rotor Lateral Movement Lock

This is an exclusive Loftness design feature that puts an end to side-to-side movement caused by lateral forces during cutting and mulching. Lateral stabilization combined with the computer-balanced rotor and knife assembly provide super-smooth operation. Besides being more comfortable for the operator, this maximizes the horsepower at the knife tip.

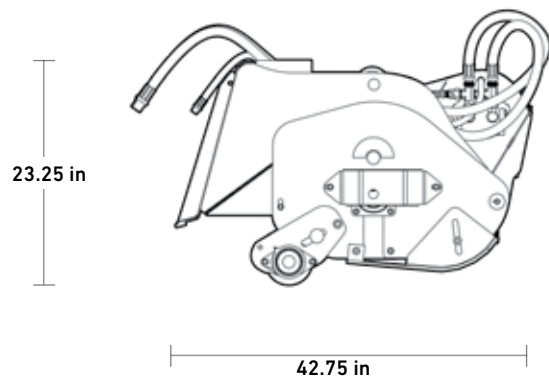
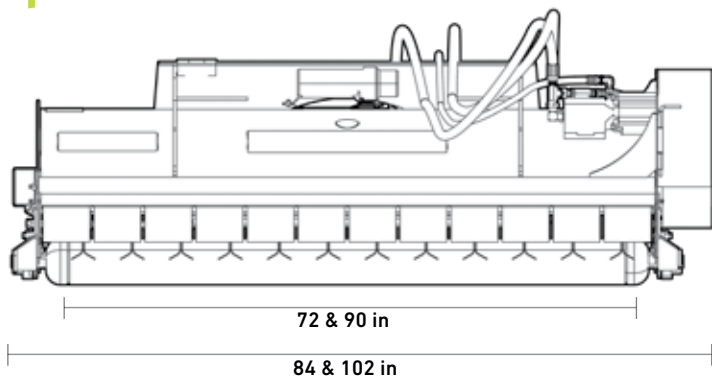


Loftness® skid steer-mounted flail mowers -  
**Hydraulic speed and power for a clean cut.**

**Hydraulic features that excel in demanding conditions.**

Loftness designed the hydraulic driven flail mower to take advantage of the power and versatility of your skid steer equipment. Easy to operate and maintain, the Loftness skid steer mounted flail mower is packed with powerful features that power through the toughest grasses, weeds and brush up to 3/4 inch.

**Specifications**



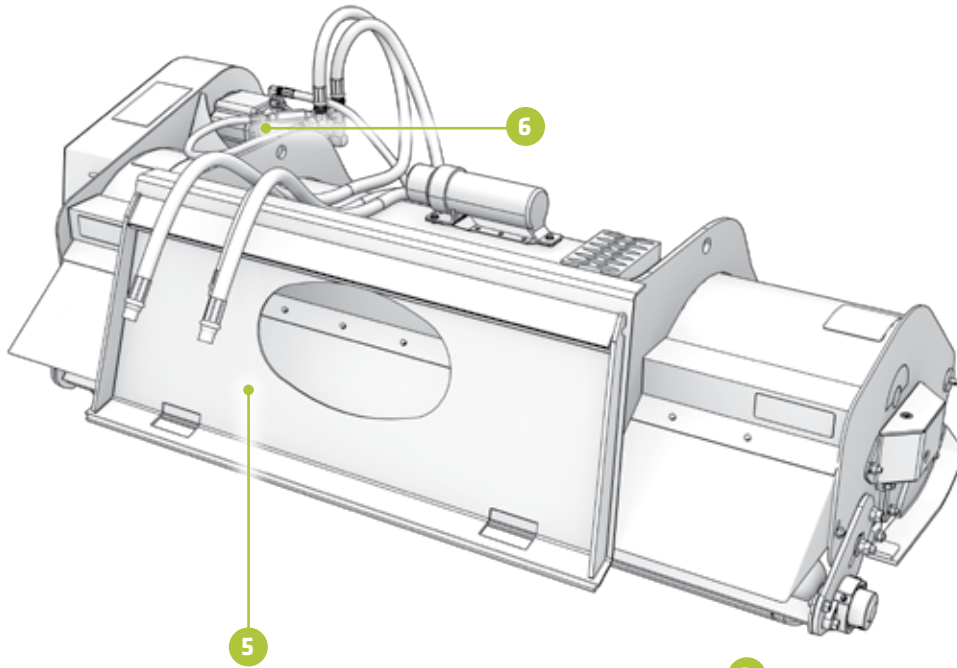
MODEL	WIDTH OF CUT (INCHES)	OVERALL WIDTH (INCHES)	HEIGHT (INCHES)	NUMBER OF KNIVES AND SETS	WEIGHT (POUNDS)	ROTOR BEARINGS
72MH	72	84	23.25	96, 48 sets	850	1-3/4
90MH	90	102	23.25	120, 60 sets	990	1-3/4

Warning: Due to the possible danger of flying debris, impact-resistant shielding **MUST** be provided for the operator. The owner is responsible for providing operator-protection devices on the power unit.



**Side-slice knives are ideal for heavy-duty applications. They are heat treated and reversible for extended life.**

# Skid Steer Models



5

6

3

## 1 ROTOR

- High speed balanced at factory
- Available in 72- and 90-inch cutting widths
- Taper-lock sheaves
- Heavy duty 1-3/4 inch roller bearings

## 2 KNIVES

- Side-slice knife

## 3 BELT DRIVE

- Three groove banded belt
- Spring-loaded belt tightener
- Heavy duty vented housing

## 4 GAUGE ROLLER

- 5-1/2 inch diameter
- 1/4 inch steel
- Adjustable from 0 to 4 1/2 inches
- Heavy duty 1-1/2 inch bearings
- Full width scraper

## 5 MOUNT

- Universal skid steer mount
- All welded construction

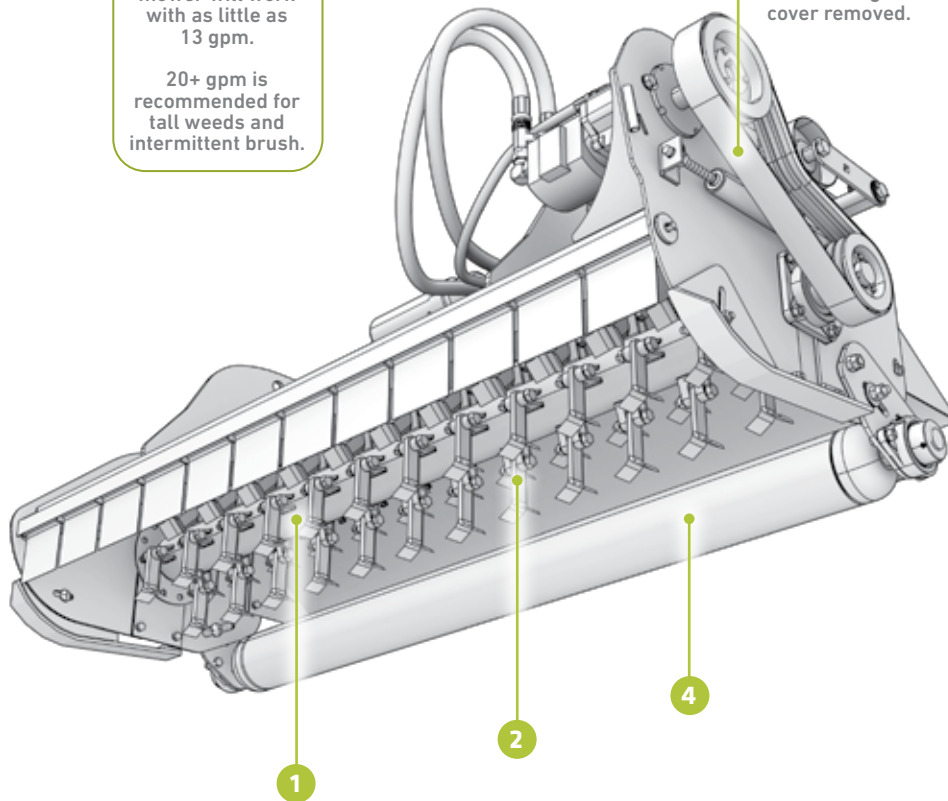
## 6 DRIVE AND POWER

- Heavy-duty gear motor
- 26-43 GPM @ 4300 PSI or 13-26 GPM @ 3400 PSI
- Dual cross-over relief valve protection
- External HD bearing block
- 1700 RPM rotor

The skid steer hydraulic flail mower will work with as little as 13 gpm.

20+ gpm is recommended for tall weeds and intermittent brush.

Illustrated with belt housing cover removed.



1

2

4

## COMPONENTS

- Curved hood for improved suction
- Bearing deflector guard
- Adjustable skid shoes
- 0 to 4-1/2 inch cutting height
- Steel deflector shields
- All hoses included (Couplers are not included.)

## CONSTRUCTION

- 10 gauge steel hood
- Structural steel frame
- 1/4 inch steel end plates

## Features

### 1 ROTOR

- High speed balanced at factory
- Available in 72- and 90-inch cutting widths
- Rotor speed: 2190 RPM
- Taper-lock sheaves
- Heavy duty 1-3/4 inch roller bearings

### 2 KNIVES

- Side-slice knife

### 3 BELT DRIVE

- Three groove banded belt
- Spring-loaded belt tightener
- Heavy duty vented housing

### 4 GAUGE ROLLER

- 5-1/2 inch diameter
- 1/4 inch steel
- Adjustable from 0 to 4-1/2 inches
- Heavy duty 1-1/2 inch bearings
- Full width scraper

### 5 MOUNT

- Category I or II
- Free-link or Quick Hitch
- Centered or 14 inch right side offset
- Heavy duty construction

### 6 DRIVE AND POWER

- 540 RPM PTO
- 70 HP gearbox and drive line
- Line shaft support bearing

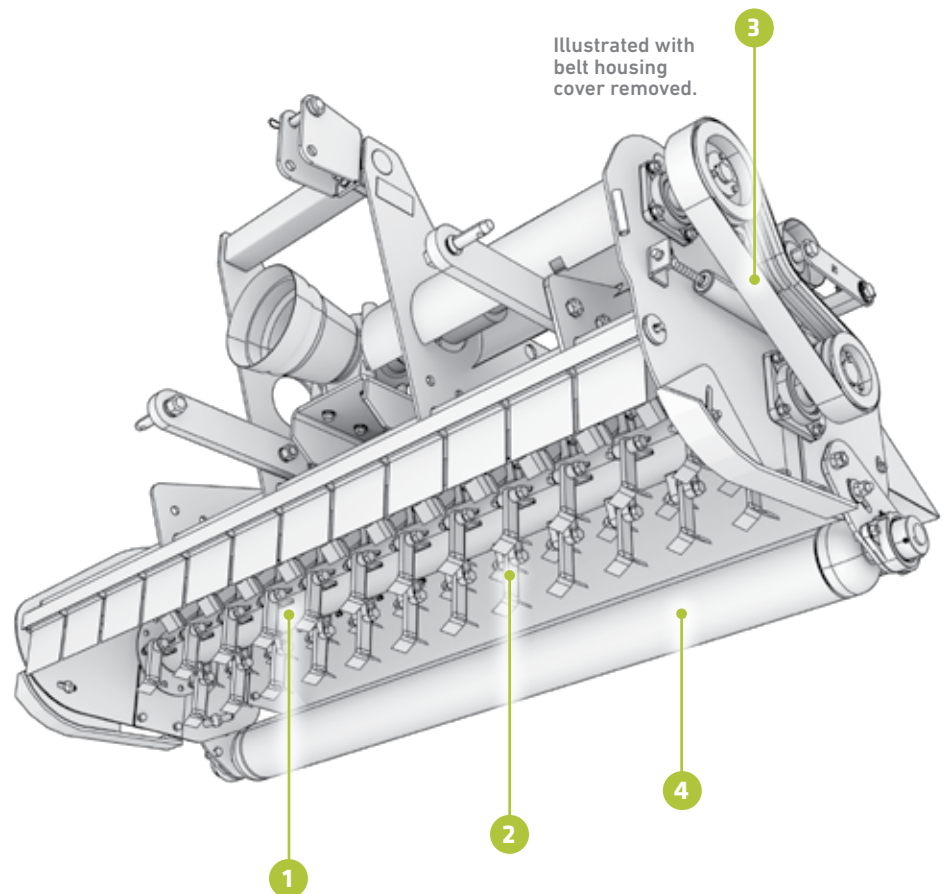
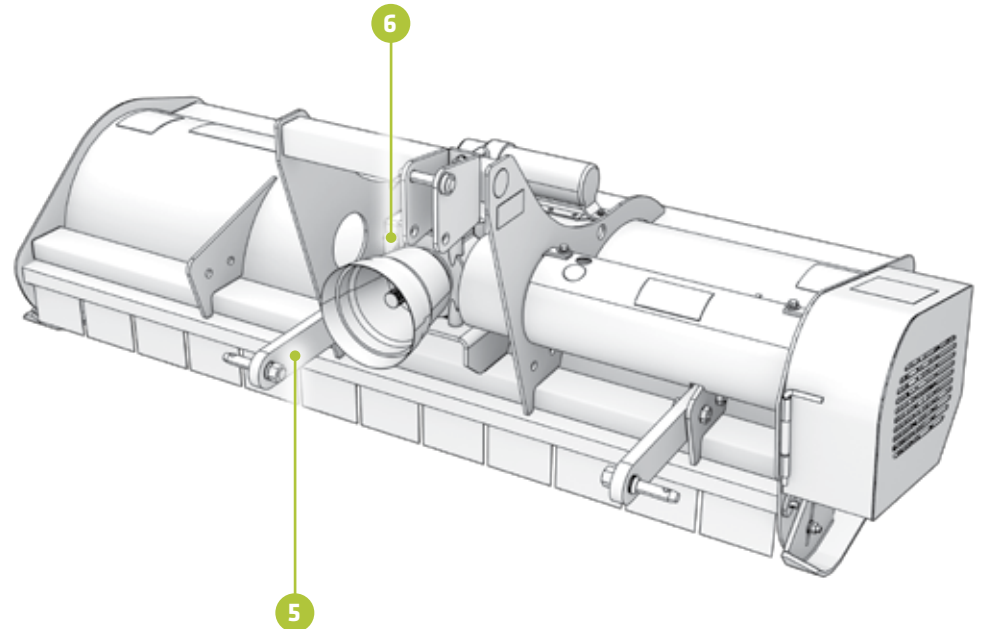
## COMPONENTS

- Curved hood for improved suction
- Bearing deflector guard
- Adjustable skid shoes
- 0 to 4-1/2 inch cutting height
- Steel deflector shields

## CONSTRUCTION

- 10 gauge steel hood
- Structural steel frame
- 1/4 inch steel end plates

## Tractor Models

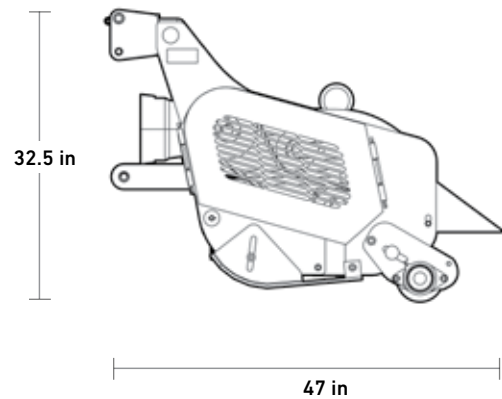
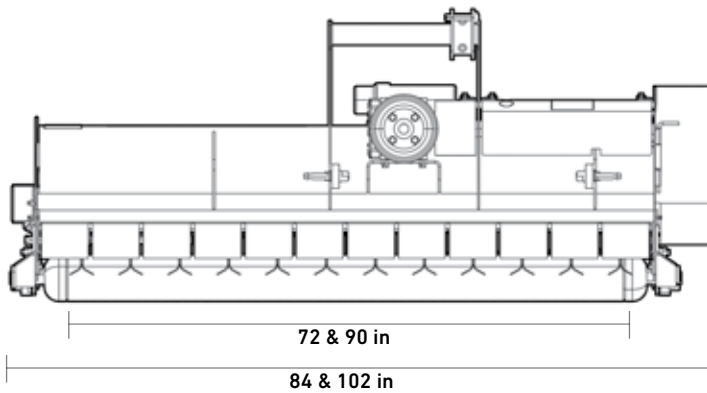




Loftness® tractor-mounted PTO flail mowers -  
**A heavy-duty workhorse.**

**PTO flail mower features that slice through the toughest job.**

Loftness understands the demands that endless hours of use can put on your mowing equipment. That's why we designed the tractor-mounted, PTO-driven, flail mower with hardened materials and heavy duty components throughout. And the versatility of the PTO flail allows you to cut grass or weeds, and up to 3/4 inch diameter brush with the same knives.



**Side-slice knives are ideal for heavy-duty applications. They are heat treated and reversible for extended life.**

MODEL	WIDTH OF CUT (INCHES)	OVERALL WIDTH (INCHES)	HEIGHT	NUMBER OF KNIVES AND SETS	WEIGHT	ROTOR BEARINGS
72M	72	84	32.5	96, 48 sets	850	1-3/4
90M	90	102	32.5	120, 60 sets	990	1-3/4

Warning: Due to the possible danger of flying debris, impact-resistant shielding MUST be provided for the operator. The owner is responsible for providing operator-protection devices on the power unit.

# Professional grade flail mowers

## Is there such a thing as over-engineering?

### Tough on vegetation, tough on competition

You can shop and compare the Loftness® Flail Mowers against the competition. Or don't and just buy with confidence, knowing that you're getting unbeatable power and performance that are driven by experience.

Loftness has been manufacturing flail mowers for decades.

Loftness also manufactures five different heavy duty, heavy-performance types of products in the Vegetation Management and Right of Way markets. That's unsurpassed experience that goes into the engineering, design and manufacturing of every product.

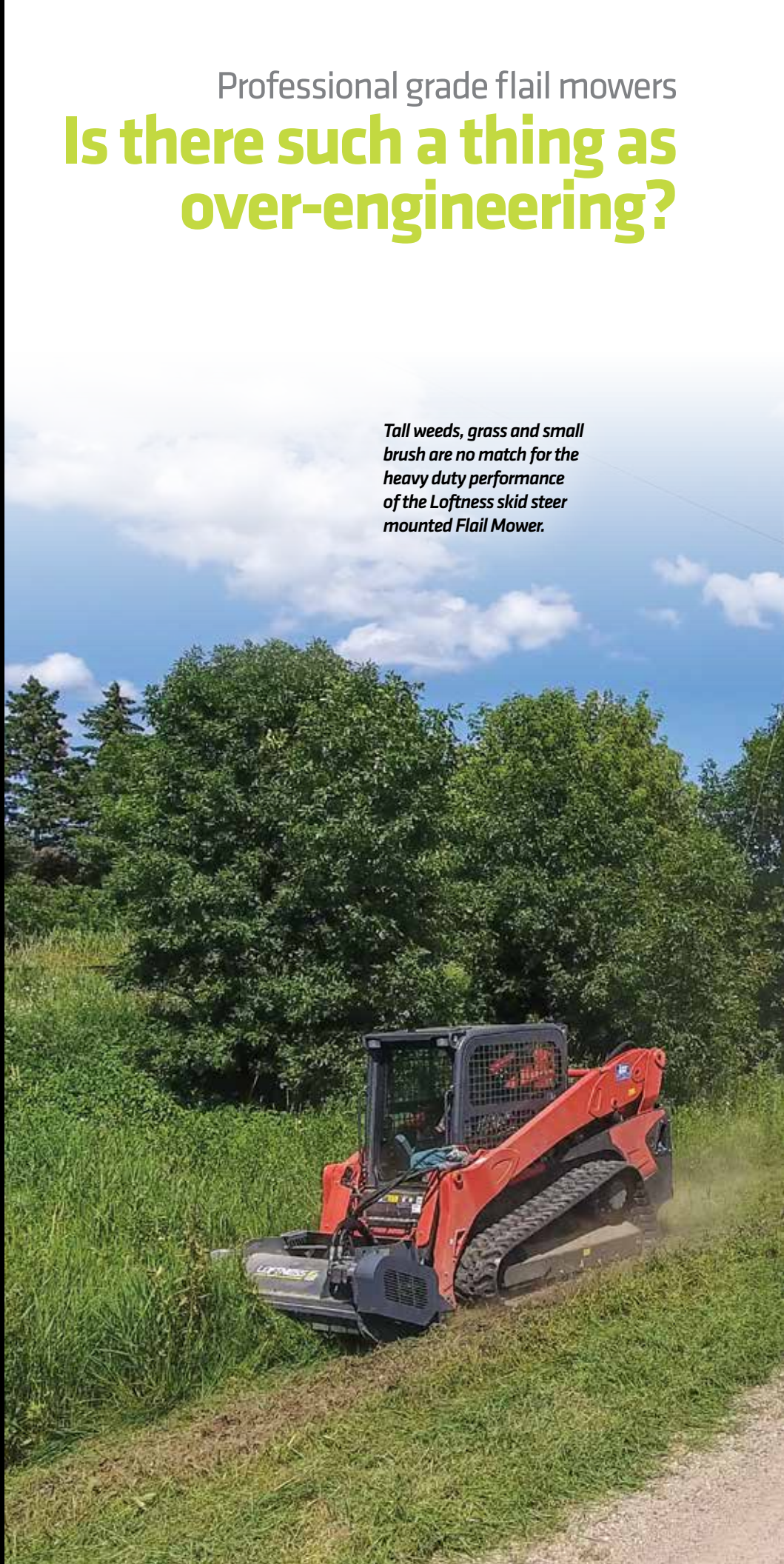
### LEVERAGE STRENGTH

Put the power, reliability and confidence of Loftness behind your Right of Way and Vegetation Management operations.

### LEARN MORE

For a more in-depth examination of how Loftness and our full line of Vegetation Management equipment—including the Loftness Flail Mowers—can help you meet your R.O.W. challenges, visit the Loftness Vegetation Management Equipment website - [loftness.com](http://loftness.com)

*Tall weeds, grass and small brush are no match for the heavy duty performance of the Loftness skid steer mounted Flail Mower.*




**We don't think so.** And we bet you don't think so, either. Not when it comes to managing the toughest Right of Way vegetation challenges you face. That's when second-best isn't good enough. And that's when the power and engineering expertise of Loftness® machines shine. And keep shining, as our equipment is built to last, and last. The Loftness mission is simple and clear: Engineer a product that surpasses your performance expectations every time.

## **Loftness, the vegetation management equipment leader**

From the first weld to the final shipping label, every Loftness employee is dedicated to providing their Right of Way (R.O.W.) and Vegetation Management customer with the quality and innovation they need to remain productive and competitive.

## **The Loftness commitment to customer success**

Every day, vegetation management and R.O.W. professionals count on the consistency and reliability delivered by Loftness equipment. Customer success is the cornerstone of our commitment to delivering the most innovative and best built vegetation management equipment in the industry.



*Loftness tractor-mounted, PTO-driven, flail mower powers through tough R.O.W. vegetation, including clearing small brush.*

# BUILD & PRICE TOOL

Customize your Flail Mower with our online Build and Price tool. [loftness.com/vm-build-and-price](http://loftness.com/vm-build-and-price)



**cool flow**  
Auxiliary Hydraulic Cooler



**kwik TRIM**



// GRAIN BAGGING

// CROP SHREDDERS

// VEGETATION MANAGEMENT

// FERTILIZER EQUIPMENT



Call us or visit [loftness.com](http://loftness.com) for more information on the Flail Mower.